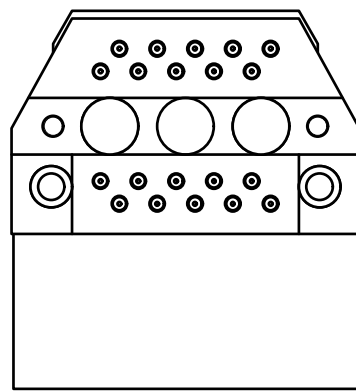


View A



View B

Part No.	SICA10C20Z-GA101
Unit	mm
Design / Date	M.Miura / Jul.01.'08
<b>TET</b> TOKYO ELETECH CORP.	