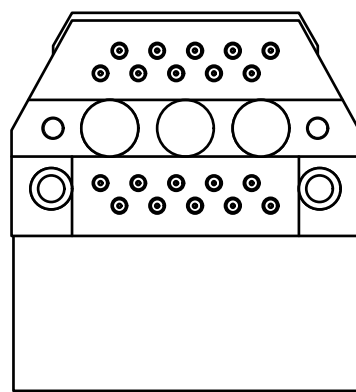


View A



View B

Part No.	SICA16C20Z-GA101
Unit	mm
Design / Date	M.Miura / Jul.01.'08
TET TOKYO ELETECH CORP.	