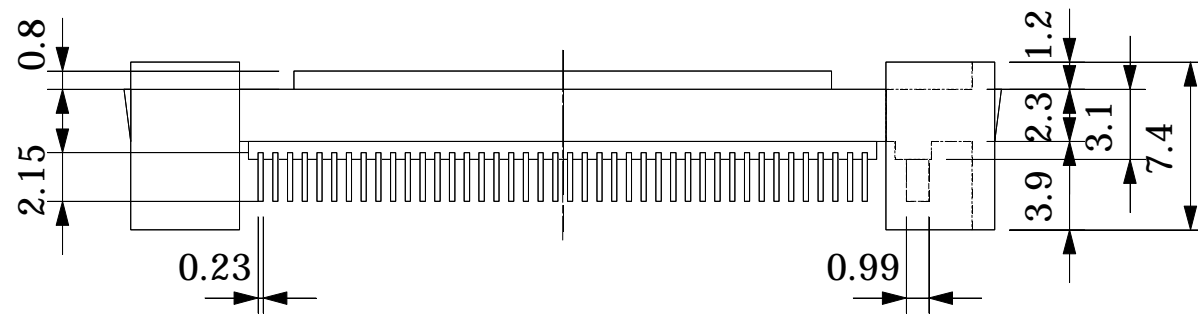


BOTTOM VIEW



Part No.	HQPACK168SB	
IC package	Square	
Pin count	168Pin	
Lead pitch	0.65mm	
Unit : mm	Design : M.H	
TET TOKYO ELETECH CORP.		