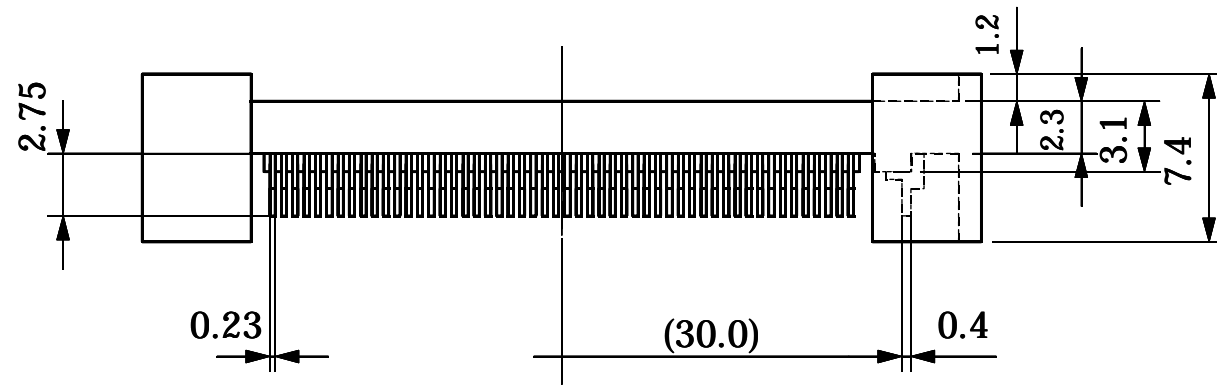


* Applicable size of IC package : IC body size 28.0 x 28.0 mm
 IC outer size 30.6 x 30.6 mm
 IC height less than 3.6mm



Part No.	HQPACK208SD306H	
IC package	Square	
Pin count	208Pin	
Lead pitch	0.5mm	
Unit : mm	Design : M.H	
TET TOKYO ELETECH CORP.		