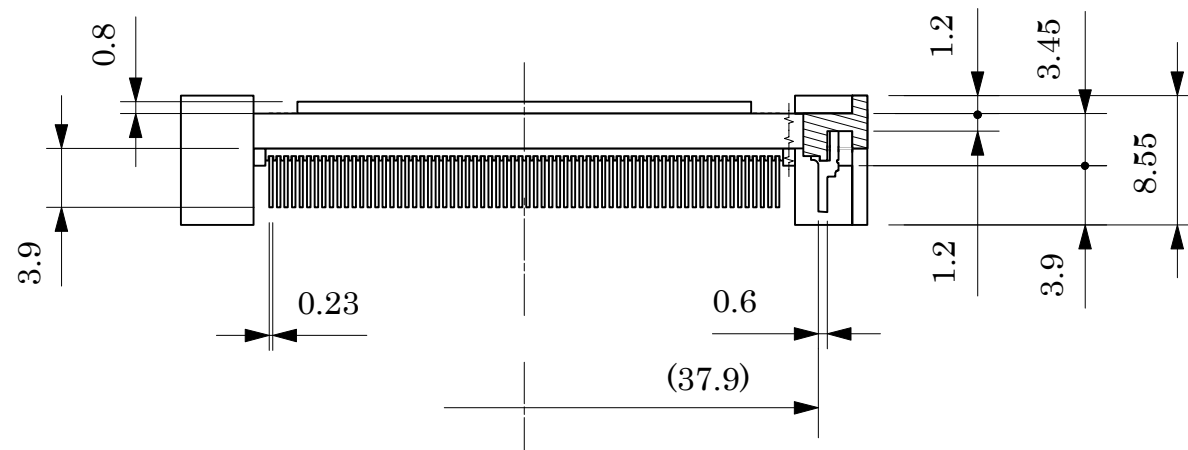


BOTTOM VIEW



Part No.	HQPACK272SD	
IC package	Square	
Pin count	272Pin	
Lead pitch	0.5mm	
Unit : mm		Design : M.M
TET TOKYO ELETECH CORP.		