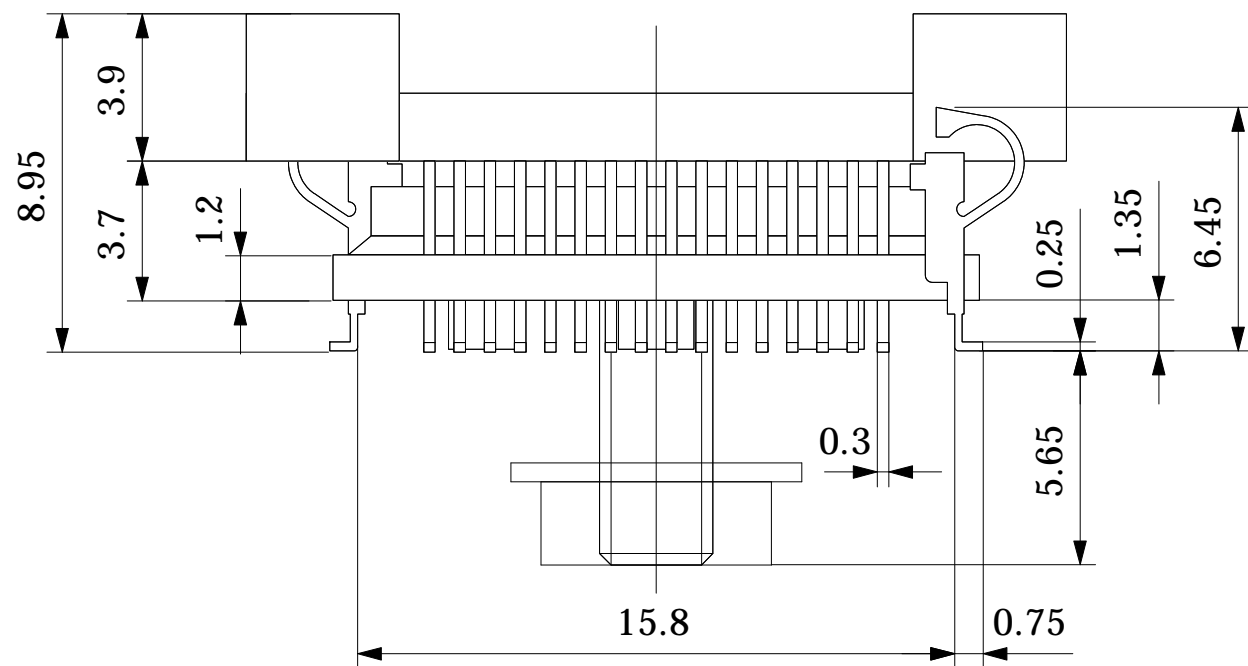


* Applicable size of IC package : IC body size 14.0 x 14.0 mm
IC outer size 17.6 x 17.6 mm



Part No.	NQPACK064SA-SL	
IC package	Square	
Pin count	64Pin	
Lead pitch	0.8mm	
Unit : mm	Design : M.H	
TET TOKYO ELETECH CORP.		