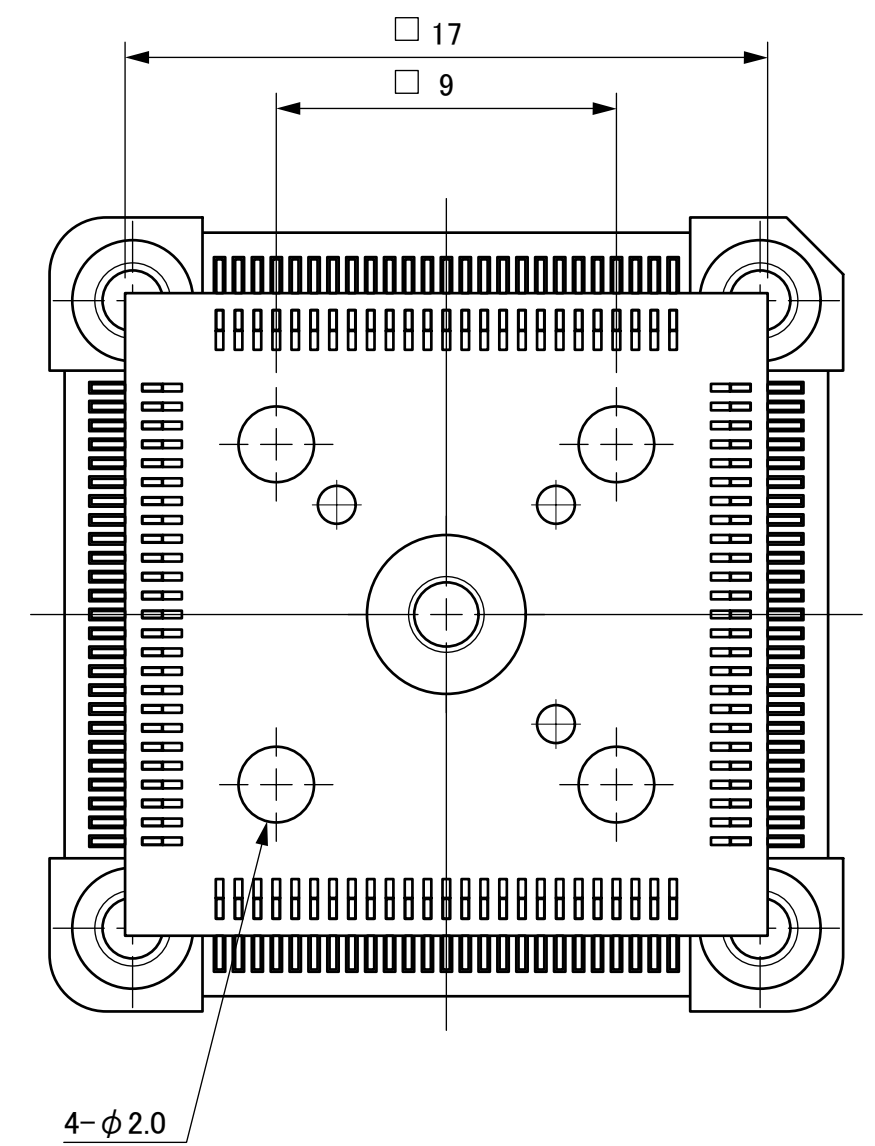


Detail of A



Part No.	NQPACK100SD-ND
IC package	Square
Pin count	100Pin
Lead pitch	0.5mm
Unit	mm
Design / Date	H.Suzuki/May.16.'06
TET TOKYO ELETECH CORP.	