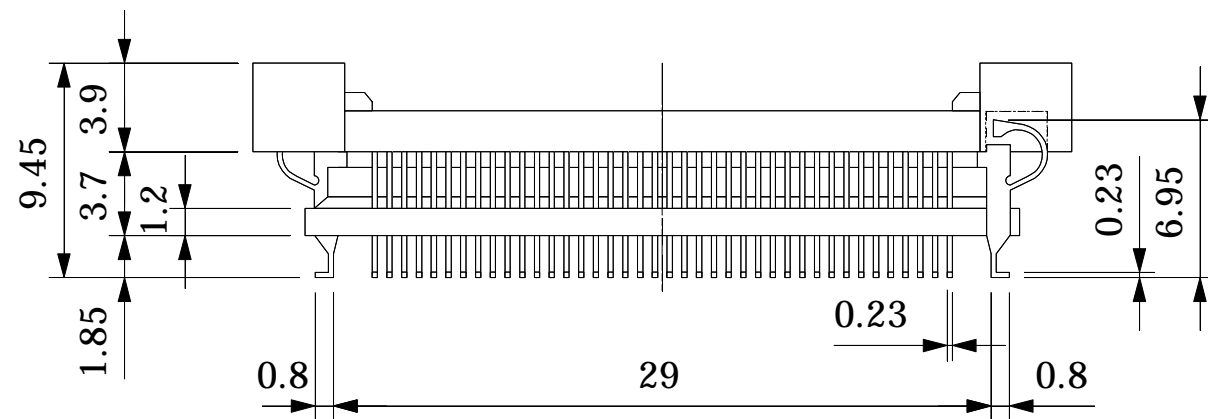


BOTTOM VIEW



| | |
|--------------------------------|--------------------|
| Part No. | NQPACK168SB |
| IC package | Square |
| Pin count | 168Pin |
| Lead pitch | 0.65mm |
| Unit : mm | Design : M.H |
| TET TOKYO ELETECH CORP. | |