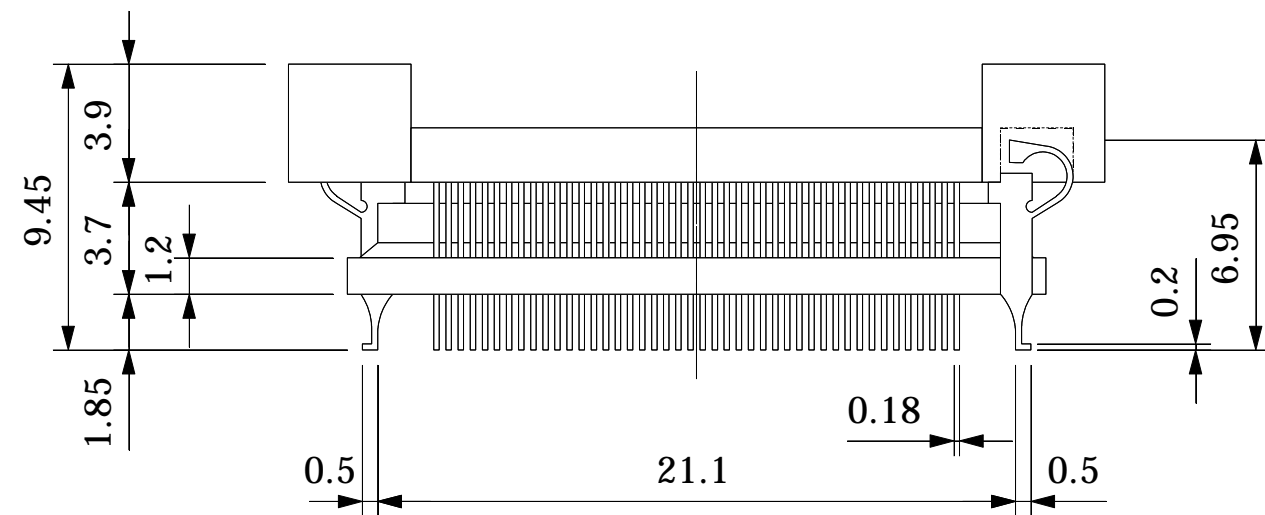


BOTTOM VIEW



Part No.	NQPACK176SE
IC package	Square
Pin count	176Pin
Lead pitch	0.4mm
Unit : mm	Design : M.H
TET TOKYO ELETECH CORP.	