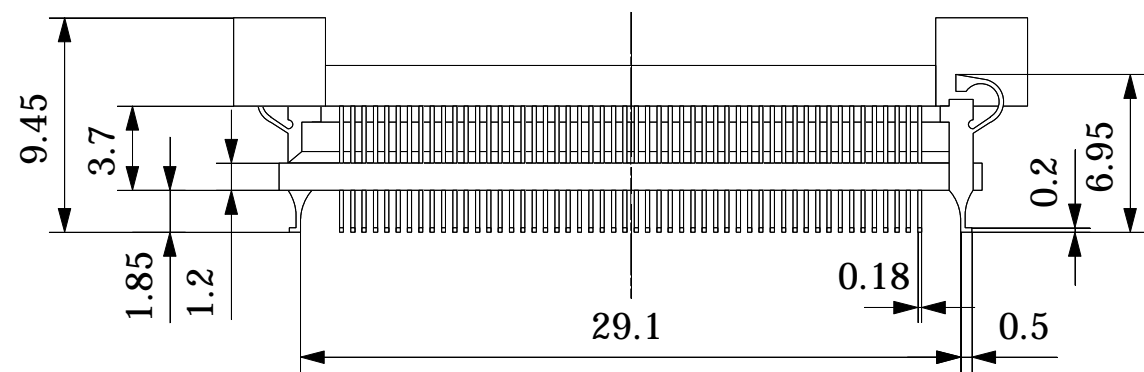


4-Ø2.0 (A projection height : 1.8mm)



Part No.	NQPACK208SD	
IC package	Square	
Pin count	208Pin	
Lead pitch	0.5mm	
Unit : mm	Design : M.H	
TET TOKYO ELETECH CORP.		